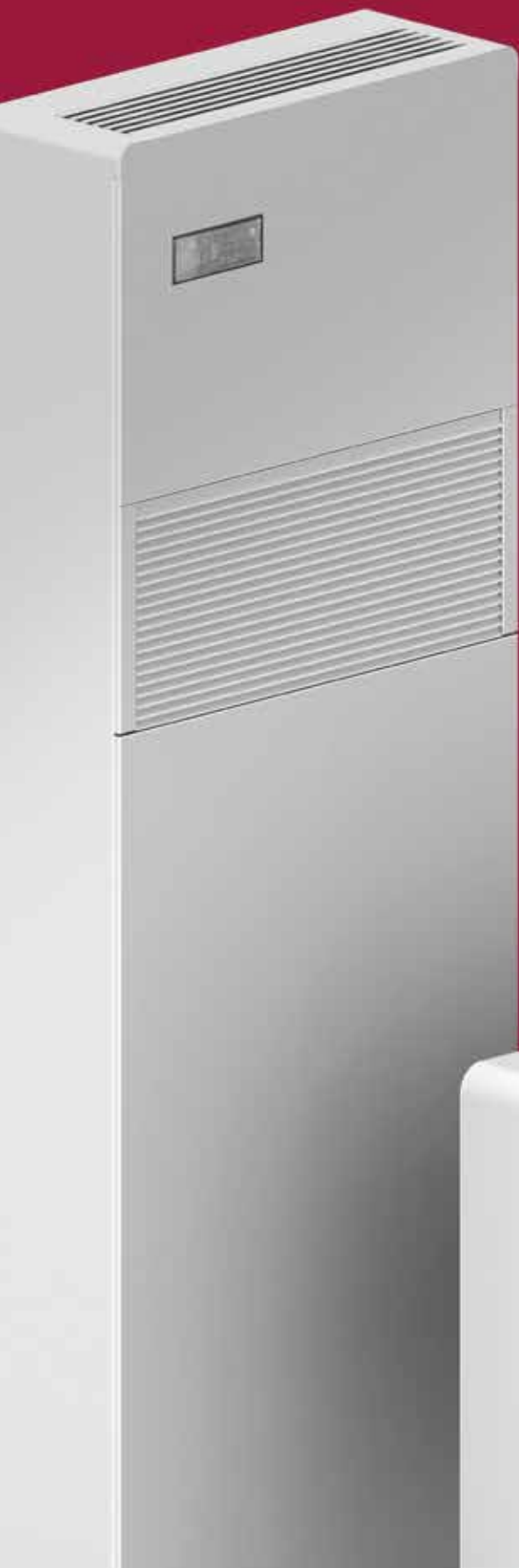




..2.0

Two holes, no
outdoor units



**Design should not beautify
but simplify.
We did it.**



..20



..20 VERTICALE





..2.0 MINI



..2.0

**Almost invisible, powerful,
noiseless and space-saving:
this is the INNOVA air
conditioner without an external
unit**

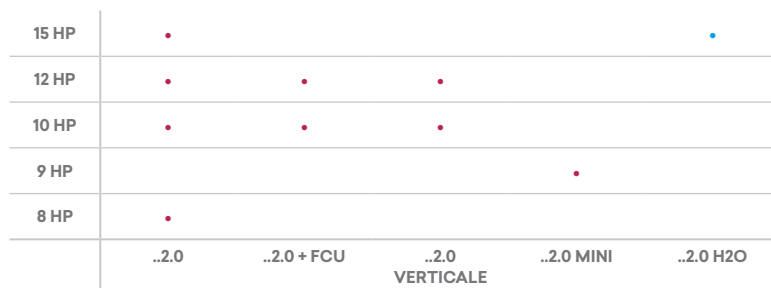
No more bulky and unsightly condensing units that ruin the appearance of a building. INNOVA has studied a high-efficiency solution with a hy-per-compact design and a minimal impact. Just 16 centimetres deep, super easy to install and with DC Inverter technology to optimize performance.

Optimized power, low consumption and low-noise operation

With DC Inverter technology, power is optimized to obtain maximum comfort with lower consumption and noise, and thanks to the Dual Power you can take advantage of the maximum power to reach the required temperature in the shortest possible time. Once reached, ..2.0 automatically adjusts to the comfort function.

Furthermore, the external grids are foldable: they open when the machine is in operation and close when it is off, so as to minimize dust, noise and pollution, maximizing well-being.

The ..2.0 MINI version is really eco-friendly because it uses R290 propane gas. Zero emission.



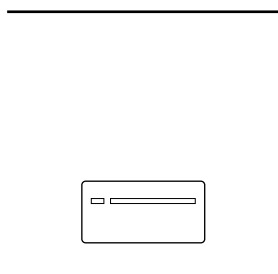


..2.0 + FCU

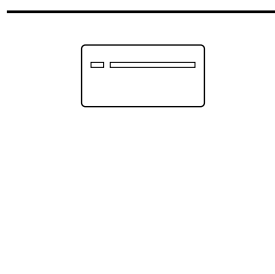
High on the wall or low on the floor?

..2.0 di INNOVA can count on a complete product range that allows you to find the right model for any type of in-stallation. All you need is an external wall and you will find the space to insert it at the top of the wall, at the bottom of the floor, in the corner or at the side of a French door.

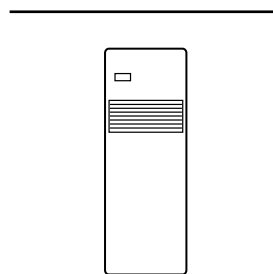
Down installation



Overhead installation



Side installation



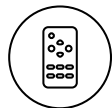
Control mode



Integrated touch-screen



Remote touch-screen

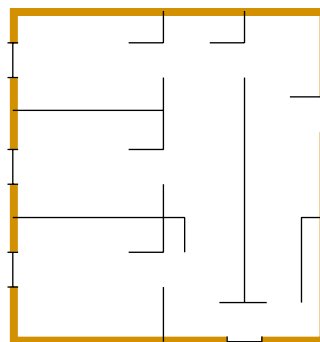


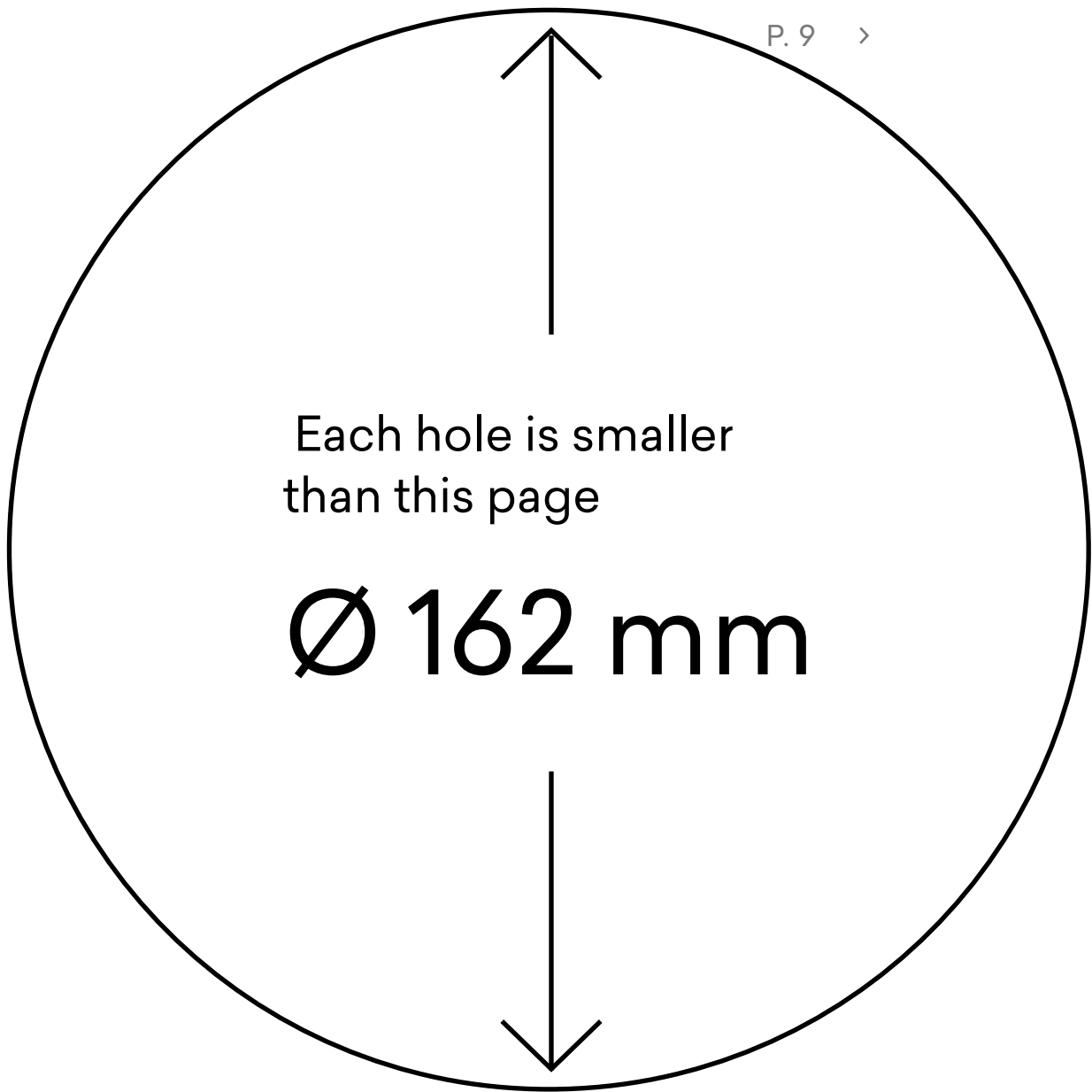
Handset control



iOS and Android APP

Perimetral installation







..2.0 MINI



Form follows function, hyper-compact design and no plastic

Minimum depth, the right colour, a perfectly smooth surface, an all-metal body... A product studied to integrate perfectly in any home delivering excellent performance and... blending in at the same time... For the horizontal and vertical developments alike, form and function come together in the tiniest design details of the [.2.0] in a perfect symbiosis.

..2.0 has a 100% metal body, strong and sturdy, solid and consistent. Dimensions of the unit has been reduced and optimized to include all the functions necessary for perfect function-ing within a hyper-compact design.

The depth? Just 16 centimeters. An ultra-thin thickness that minimizes the aesthetic im-pact, both inside and outside.

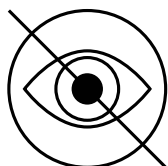


..2.0 VERTICALE

..2.0 + FCU

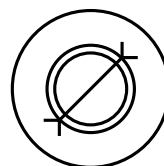
..2.0

..2.0 MINI



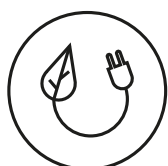
ALMOST INVISIBLE, OUTDOOR AND INDOOR

With only 16 cm depth, "...2.0" is extremely slim and not invasive. The impact is minimized, indoor and outdoor.



162 mm HOLES

Essential both for design and installation: easier to find drilling tools, no need of professional drilling machines, further reduced outdoor impact.



DC INVERTER E DUAL POWER: OPTIMIZED CAPACITIES, RE- DUCED CONSUMPTION

Thanks to DC Inverter technology, capacities are optimised so to have the best comfort with the lowest power consumption and noise. Thanks to Dual Power it is possible to select the highest capacity so to reach the requested temperature as soon as possible.

Once reached the set temperature, ...2.0 will automatically set the comfort function.



EASY TO INSTALL

All installation accessories (template, supporting bracket, outdoor grills, insulating wall pipes) are contained in the carton box.





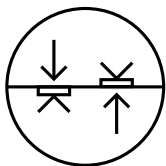
**“COOLING ONLY” AND “HEAT PUMP”
IN THE SAME VERSION**

..2.0 a in heat pump , with condensate drain pipe.
The “heat function” can be easily deactivated and the unit will perform in “cooling only” with no need of condensate drain.



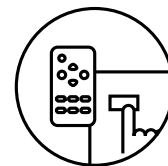
NO FROST SYSTEM

The drain pan is constantly warmed up so to avoid any risk of icing of condensate drain during winter time, in heat pump mode.



**SELF FOLDABLE
OUTDOOR GRILLS**

..2.0 has self foldable grills that open when the unit is working and close when it is off. Grills are activated by in and out airflow. The best indoor comfort with less dust, less noise and less pollution. Low maintenance and even less visible from the outside.



**CONTROL BOTH REMOTE
AND ON BOARD**

Besides the remote control, the on board control permit to set any possible function, including a “lock” position so to avoid improper use. An APP permits the management of the unit from remote position, through WIFI.

The versions



..2.0

The ..2.0 features two major power and size innovations. A 15 HP version and a MINI version using R290 pro-pane gas.

NEWS 2021

15HP

MINI



..2.0 + FCU

Equipped with an integrated fan coil unit for heating with hot water, in summer it works as a normal air conditioning unit but in winter it can operate as a heat pump, as a simple fan coil or in automatic hybrid mode when it is particularly cold.





..2.0^{H2O}

The ..2.0 H2O is the water-to-air air conditioner that uses groundwater, mains water or closed-loop water. It heats or cools according to the season with a constant water temperature. One of the most innovative technical solutions in the building world for renovating without intervening on the existing plumbing.



..2.0^{VERTICALE}

The vertical version of ..2.0 is ideal when there is simply not enough room or there is no room at all, like between two French windows or near corners.

NEWS 2021

..2.0 MINI

The tiny air conditioner



WITHOUT OUTDOOR UNIT
The outdoor unit is replaced
by two 162-mm holes.



EASY INSTALLATION
Monobloc unit without refrigerant
connections during installation.



81 CM WIDTH



PROPANE GAS R290



So small, so ecological

The ..2.0 MINI is the first fixed twin duct air conditioner to use R290 (propane) gas. Remarkable R&D to ensure the perfect operation of the appliance with less than 150 g of gas, that is the limit set by law. The ..2.0 MINI has an environmental impact in terms of GWP (Global Warming Potential) of 3, compared to R410a gas which has a GWP of 2088 and R32 gas which has a GWP of 675.

The ..2.0 MINI can fit when space is at a premium with its 81-cm width maintaining the same standards of performance and noiselessness.

Power range ..2.0 MINI

15 HP	-
12 HP	-
10 HP	-
9 HP	•
8 HP	-
..2.0 MINI	



NEWS 2021

..2.0 15HP

The ..2.0 with extra-large power



202 mm HOLES

The outdoor unit is replaced by two 202-mm holes.



DC INVERTER AND DUAL POWER

Maximum comfort with the lower consumption and quiet operation



EASY INSTALLATION

Monobloc unit without refrigerant connections during installation.

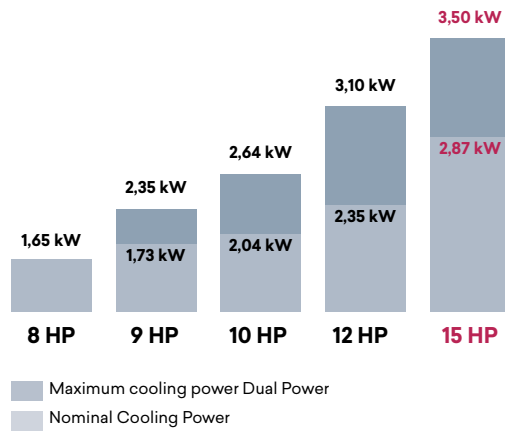


REMOTE CONTROL WITH INNOVAPP

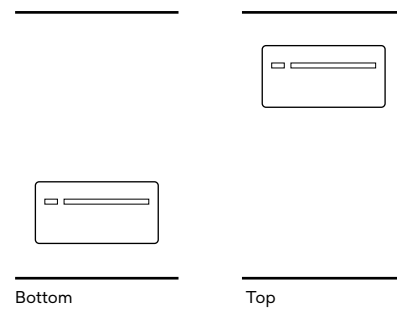
There has never been such a powerful ..2.0

When you need more power... here is ..2.0 15 HP.
 With 202-mm holes, all other dimensions being equal, the ..2.0 15 HP delivers power keeping performance and noise standards unchanged.

High power



Positioning



More power, same ease of installation.



..2.0

An instant classic



WITHOUT OUTDOOR UNIT

The outdoor unit is replaced by two 162-mm holes.



EASY INSTALLATION

Monobloc unit without refrigerant connections during installation.

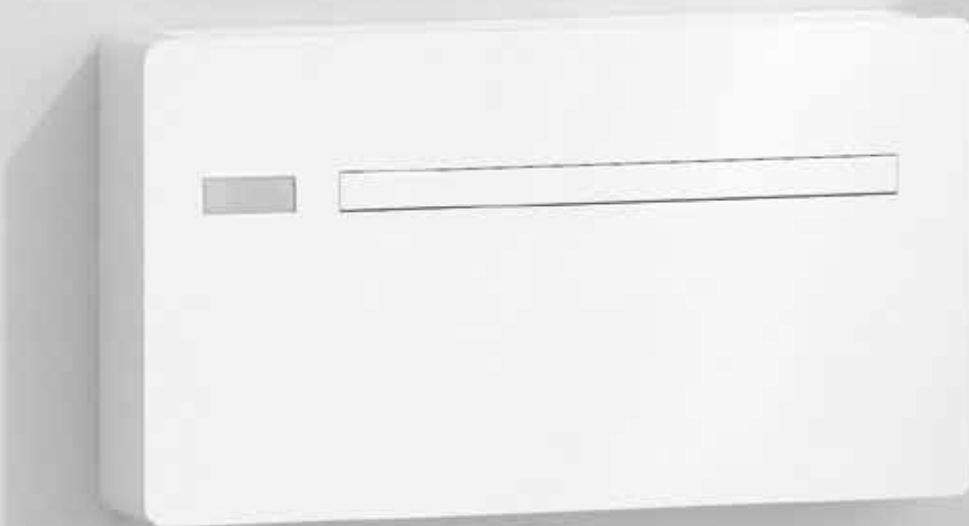


DC INVERTER E DUAL POWER

Maximum comfort with the lower consumption and quiet operation



REMOTE CONTROL WITH INNOVAPP



Stylish, slim and silent

Too often air conditioning means installing bulky and un-sightly condensing units outdoors. ..2.0 is the INNOVA air conditioner without outdoor unit designed to fit perfectly into existing domestic environments, offering excellent energy performance and almost disappearing from view to minimize the aesthetic impact. The design is studied in every detail so to deliver a real piece of furniture, thin and compact, where form follows function.

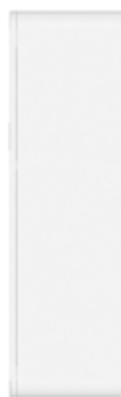
..2.0 can work both for summer air conditioning and, as a heat pump, for winter heating. Both functions, in the same model, with maximum ease of installation.

Simple and practical

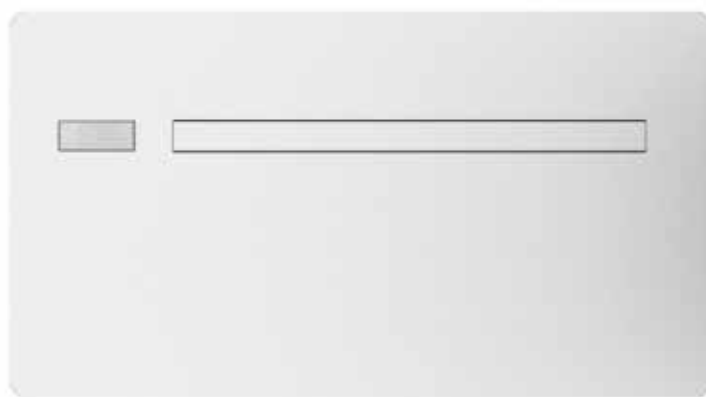
The ..2.0 in its standard version is the ideal solution for the majority of living contexts and for the most common domestic needs. The top of simplicity at your fingertips.

Power range ..2.0

15 HP	•
12 HP	•
10 HP	•
9 HP	-
8 HP	•
	..2.0



16 cm



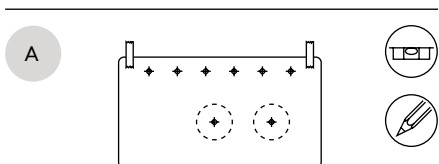
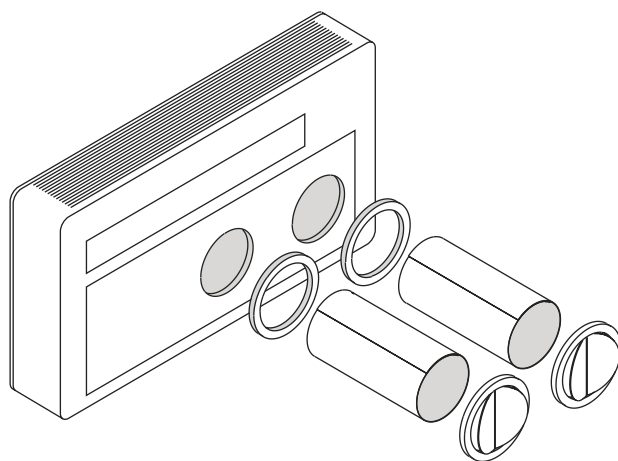
101 cm



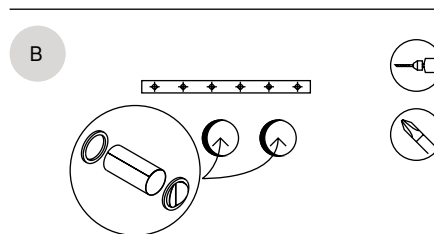
..2.0

Easy installation

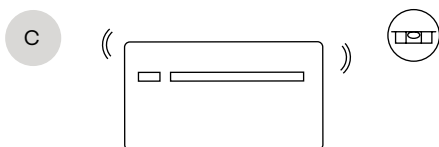
Minimum depth, the right colour, a perfectly smooth surface, an all-metal body... A product studied to integrate perfectly in any environment.



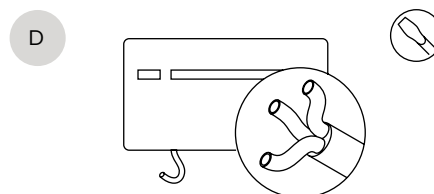
Stick the template to the wall and mark the positions for screws and holes centring.



Fix the supporting bracket to the wall and install the out-door grills, the protection plastic sleeves, the indoor flanges in the holes.



Mount the unit on the wall bracket checking the correct alignment.



Install electrical connections and condensate drain for that pump functioning.



1

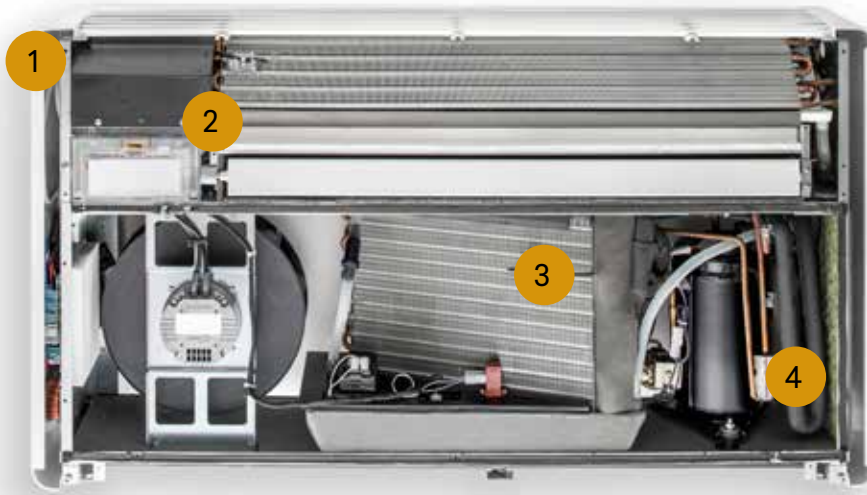
FULL METAL BODY

The body of ..2.0 is now completely in metal, as all plastic has been eliminated. Strong and robust, 2.0 is now even more solid and consistent.

2

DISPLAY TOUCH SCREEN + WIFI RECEIVER

The wide control panel permits the selection of any functioning parameter straight on board – and also houses the communication through WIFI.



3

HIGH EFFICIENCY CONDENSING BATTERY

The condensing battery is at high efficiency, integrating the evaporative effect of condensate – for an even further enhanced performance.

4

HYPER-COMPACT DESIGN

An hyper-compact body includes all what is necessary for the perfect functioning of the unit, thanks to an extremely careful design made with the focus to reduce the dimensions of each component ensuring its perfect functioning.

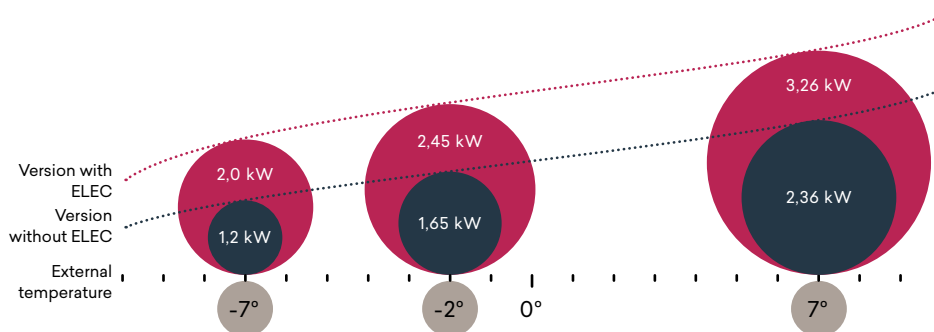
..2.0 ELEC, ..2.0 with integrated electrical heater

As all heat pumps, ..2.0 has lowering performances in heating when outdoor temperature is falling. Sometimes a strong request is to have a consistent heating capacity also with extremely low outdoor temperatures.

..2.0 ELEC, integrates (and not replaces) the heat pump with a 900 W electrical heater that intervenes automatically when outdoor temperatures become extremely low.

Because of this, “..2.0 ELEC” can deliver a heating capacity of at least 2 kW even with outdoor temperatures down to -7°C, with an energy absorption of 900 W that is extremely low and fully compatible with standard domestic power supplies. ..2.0 ELEC can be considered a complete heating system even with severe outdoor temperatures.

Power comparison





..2.0 + FCU

The ..2.0 with integrated fancoil



WITHOUT OUTDOOR UNIT

The outdoor unit is replaced by two 162-mm holes.



EASY INSTALLATION

Monobloc unit without refrigerant connections during installation.



DC INVERTER E DUAL POWER

Maximum comfort with the lower consumption and quiet operation.



REMOTE CONTROL WITH INNOVAPP

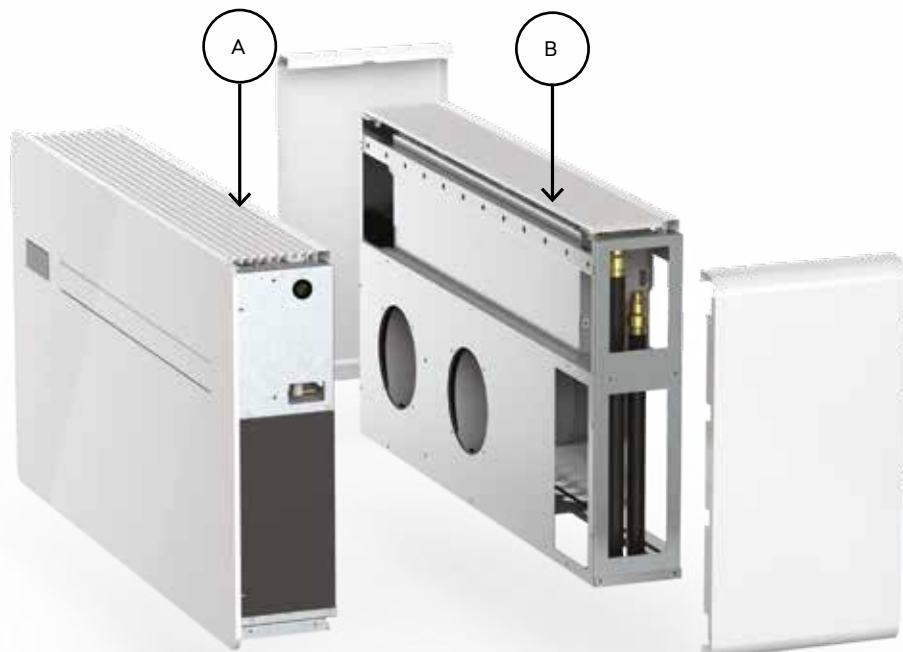


Suitable for all seasons

The ..2.0 + FCU, integrates an air-conditioning unit for summer and winter operation and a fan coil for heating with plant hot water in a single casing. Replace a conventional radiator and obtain comfort in the summer and the winter in return. The ..2.0 + FCU is easy to install needing just two 162-mm holes in the wall and simple connections to the existing water heating system.

In winter, heating is guaranteed by the heat pump operation; when the outside temperatures drop, ..2.0 + FCU automatically integrates the heat pump operation with the use of the fancoil, thus ensuring the maintenance of the set internal temperature.

Furthermore, in the presence of particularly cold external temperatures, the heating function can be programmed with only the use of system hot water.



..2.0 H2O

The water/air conditioner



OPERATES WITH WATER

Suitable for use with mains water, groundwater or WLHP loop system.



EASY INSTALLATION

Monobloc unit without refrigerant connections during installation.

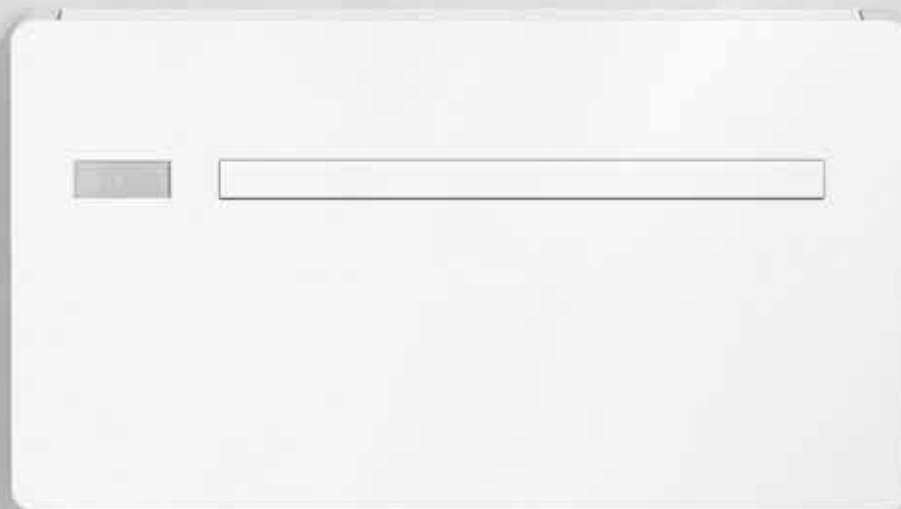


DC INVERTER E DUAL POWER

Maximum comfort with the lower consumption and quiet operation.



REMOTE CONTROL WITH INNOVAPP



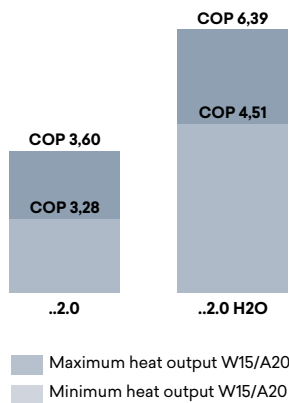
Zero impact renovations

The ..2.0 H2O is a truly innovative solution in the building renovation world.

The ..2.0 H2O heats or cools according to the needs of the season providing the temperature of the water fed to the system is substantially stable.

This means being able to carry out renovation and energy renovation works without having to intervene on the ex-isting plumbing.

High efficiency

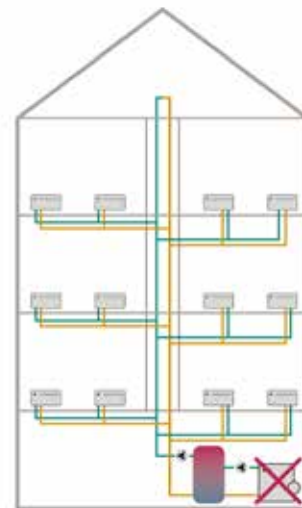


Power range ..2.0 H2O

15 HP	•
12 HP	-
10 HP	-
9 HP	-
8 HP	-
..2.0 H2O	

Hot and cold, no problem

..2.0 H2O is the ideal air conditioner in particular domestic contexts such as historic centers and in general for the en-ergy requalification of condominiums, where it is possible to remove the radiators and use the same pipes to have, both heating than cooling in a water loop system. The ..2.0 H2O is installed on a traditional “water loop” fed by a central heat pump.



..2.0 VERTICAL

The vertical version of the ..2.0 is ideal for when there is simply no room at all.



WITHOUT OUTDOOR UNIT

The outdoor unit is replaced by two 162-mm holes.



EASY INSTALLATION

Monobloc unit without refrigerant connections during installation.



DC INVERTER E DUAL POWER

Maximum comfort with the lower consumption and quiet operation



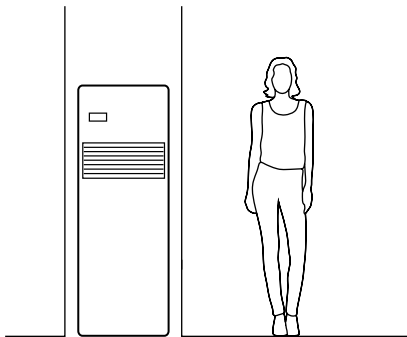
WIFI REMOTE CONTROL

The hyper-compact without an external unit

The vertical version of ..2.0 has a width of just 500 mm but retains all the features of the standard horizontal model.

This is the ideal solution for rooms where you cannot in-stall horizontal solutions, for instance between two win-dows or in a corner.

Positioning



Upward flow



..3.0

The condensate nebulizer

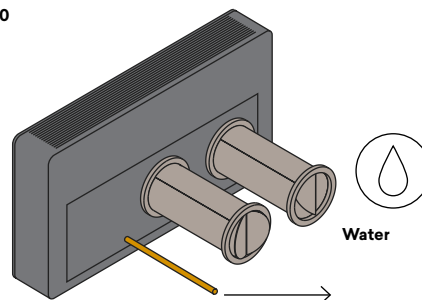
To dissipate the condensate expelled by air conditioning systems sometimes is a problem.

In the winter, the ..2.0 works using a drain pipe that conveys the condensate outside.

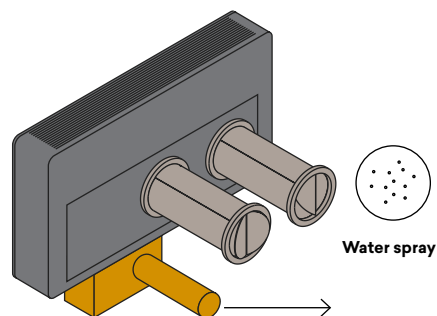
when even installing this pipe is tight, the best solution is the ..3.0.

In the ..3.0, the condensate produced by the air conditioning unit is conveyed in an innovative piezoelectric cell system, atomized and then expelled outside through a micro-fan. The [..3.0] is installed underneath the [..2.0] with an 80-mm hole in the wall.

Without ..3.0



With ..3.0



Dimensions	378 x 140 x 232 mm
Weight	4,8 kg
Disposal	2 L/h
Colour	matt white RAL 9003
Input	16 mm hole on top cover
Output	80 mm hole on the back side
Consumption	Max 220 W
Power supply	230 V
Components	10 cells piezoelectric atomizer Fan to discharge condensate steam Power pack 230 V - 48 V Floater Steel Tank



Side installation kit

Air-conditioner without outdoor condensing unit are always installed on a perimeter wall, so to exchange air with the outside.

Sometimes this is not possible, as the "outside" is lateral with respect to the wall hosting the unit. With this kit, to be built into the wall, the airflow is deviated laterally: therefore it is possible to install ..2.0 on the wall with side air exit. This allows many new and unexpected possibilities to install ..2.0!

- A** ..2.0 for wall mounting.
- B** Built-in side installation kit.
- C** Self foldable outdoor grills.



InnovApp

Configure, manage and control all INNOVA devices

From summer to winter climate control, heat pumps and fan coils to HRV and radiant systems. InnovApp is the INNOVA app for managing all elements of your home system with a simple touch, from your smart-phone or tablet, from home or wherever you are.

The InnovApp interface is easy and user-friendly. You can create custom scenarios, set different temperatures in each room or for each ..2.0 fan coil or HRV, programming every detail of your home comfort.

Remote and local management

Remotely - PC / Smartphone / Tablet



Local - Butler



Main functions

- **Supervision and control through local network or remote-ly**

The system can be managed through a smartphone, tablet or computer

- **Summer and winter personalised programming**

Different programmes can be set for each season

- **Three temperature level setting on INNOVA fan coil net-work**

For each room or zone it is possible to select 3 different work temperatures, which can be modified at any time

- **Weekly time programming**

In each room it is possible to set different operating times

- **etwork interface like the one on PCs**

The connection to the webserver is the same as that of a normal computer once the bus network between the heat pump and the fan coils has been established.

- **Remote assistance**

With your consent, the ..2.0 can automatically log on to the INNOVA cloud for diagnostics and assistance when necessary

A

WEEKLY SCHEDULING



B

DOMESTIC HOT WATER SETTINGS

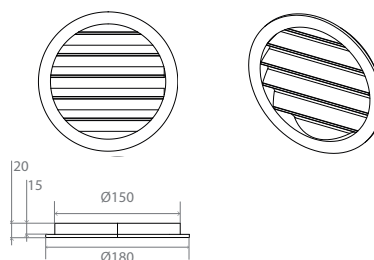


Accessory

Kit of external grids with fixed fins.

Description

Accessory supplied on request, as an alternative to the folding grills provided. The grids with fixed fins are in aluminium they are pre-ferred for aesthetic reason or for painting needs.



Codes

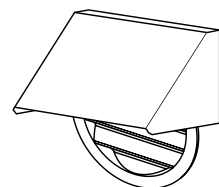
GB0738II for ..2.0 whit 162 mm holes
GB1091III for ..2.0 whit 202 mm holes

Rain protection kit.

Description

Top cover of holes for installation of the ..2.0 on walls exposed to rain and wind. Accessory supplied on request and applicable on external grids with fixed fins.

The supply includes 2 covers, one for each grill. White RAL 9003.



Functionality

The accessory, positioned in the upper part of the grilles, protects the hole from bad weather.

Codes

GB0739II for ..2.0 horizontal / vertical and ..2.0+FCU

Insect protection kit.

Description

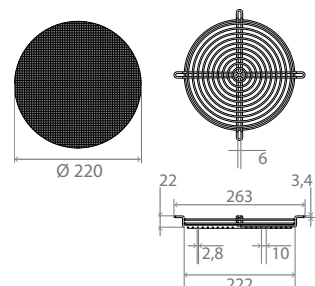
Kit consisting of:

- 1 metal mesh discs
- 1 grids in metal wire
- fixing screws and plugs

Accessory supplied on request and applicable on external grids with fixed fins.

Functionality

The accessory, installed above the grilles, further protects the holes avoiding the possible entry of insects or small materials.



Codes

GB0755II for ..2.0 horizontal / vertical and ..2.0+FCU

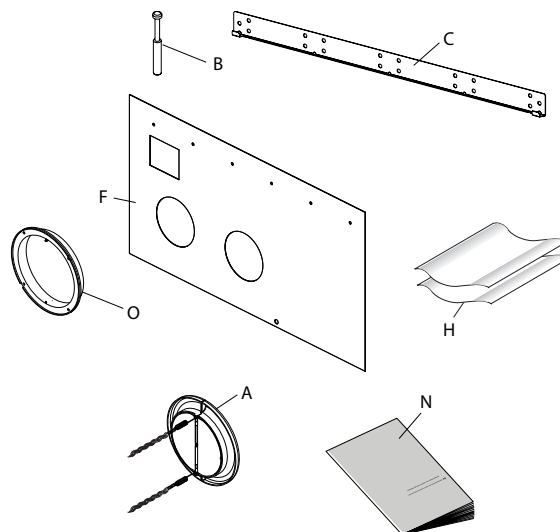


Pre-installation kit.

Description

Kit consisting of:

- 2 external grilles for air inlet and outlet including springs and chains (A)
- 6 crews and dowels kit (B)
- Wall fixing bracket (C)
- Paper template for drilling holes (F)
- 2 wall-mounted pipes (H)
- Installer manual (N)
- Counter-flange for internal wall (O)



Functionality

This kit is used to prepare the space and holes for the future installation of the ..2.0. All components of this accessory are still included in the box at the time of purchase.

Codes

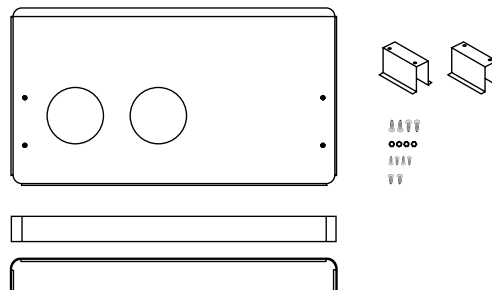
- GB0671II** for ..2.0 horizontal with 162 mm holes
GB1092II for ..2.0 horizontal with 202 mm holes

Kit for installation on glass walls.

Description

Kit consisting of:

- 1 aesthetic back cover, white colour RAL 9003
- 2 floor fixing bracket for ..2.0
- 1 front plinth cover floor fixing brackets RAL 9003
- Screws and nuts



Functionality

The accessory has an aesthetic function in installation where the back of the ..2.0 is visible. For example when it is placed behind a display cabinet.

Codes

- GB0740II** for ..2.0 horizontal
GB0742II for ..2.0 H2O

UV-C lamp kit.

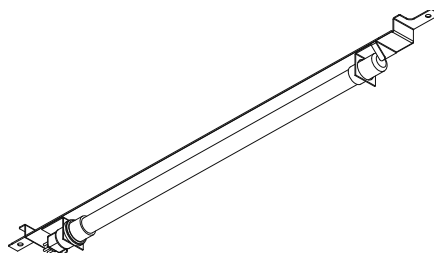
Description

Air sterilization device with UV-C lamp (1)
 For use in combination with horizontal ..2.0 12 HP size only

(1) Accessories can be installed and tested at the factory

Codes

- GB1104II** for ..2.0 horizontal



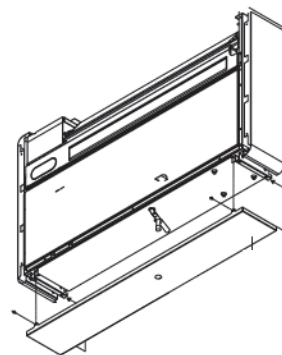
Aesthetic kit lower side cover ..2.0.

Description

The lower side cover is made of painted galvanized sheet of the same colour as the ..2.0.

Functionality

The accessory has an aesthetic function in installation where the lower part of the unit is visible. For example for the top installation.



Codes

GB0737II for ..2.0 horizontal and H2O
GB1105II for ..2.0 MINI

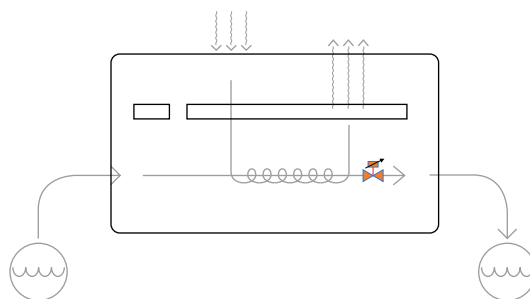
Modulating valve kit.

Description

The modulating valve reduces the consumption of the water used and extends the operating range for domestic hot water.

Functionality

The valve controls the water flow rate according to its inlet temperature. Example: if in cooling mode the water temperature is $<20^{\circ}\text{C}$, the valve reduces the flow rate to obtain an outlet temperature (35°C) which allows to have a correct condensation temperature. In heating mode, if the water temperature is too hot, the valve reduces the flow rate to obtain an outlet temperature of 7°C .



Codes

GB1018II for ..2.0 H2O

Kit "Fresh Air" with heat recovery.

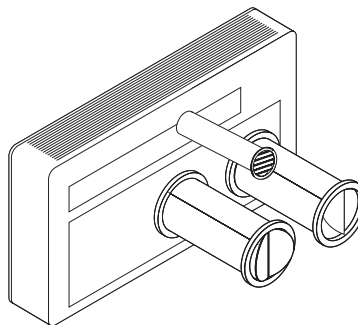
Description

Kit consisting of:

- 1 "Punctual" HRV with ceramic recuperator
- 1 electrical box to be positioned inside the ..2.0

Functionality

The kit allows to incorporate the heat recovery ventilation in the air-conditioning, reducing everything in a single space. The renewal air flow is $24\text{ m}^3/\text{h}$ with alternating flow.



Codes

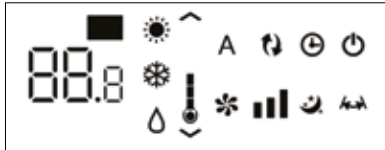
GR0765II for ..2.0 horizontal



Electronic controllers for ..2.0


Display touch screen.

Supplied as standard on board.



Interface:

- Touch interface
- Modulation fan speed

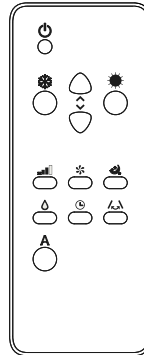
 WiFi connection in DC Inverter versions

Functionality: All mode settings, temperature and special functions

Different operating modes: cooling only, dehumidification only, ventilation only, heating only

Remote control

Supplied as standard.



- Possibility to control the airflow direction
- Night well-being key
- Fan speed control
- Timer function setting

Smart Touch wall control.

- Touch interface
- Modulation fan speed
- Cable length 8 m
- Integrated WiFi



 cod: **ECA031II**



 cod: **ECB031II**

Simplified control with basic command and unit setting functions

- Seasonal setting
- Temperature set point
- Ventilation speed

N.B. Not available for 2.0+FCU and with 3.0 option

Technical data sheets

		..2.0	..2.0 MINI	..2.0	..2.0 VERTICAL	..2.0	..2.0 ELEC	..2.0 VERTICAL	..2.0	..2.0 H2O	
Models	u.m.	8 HP	9 HP	10 HP			12 HP			15 HP	15 HP

Cooling performance (A 35 °C; A 27 °C)

Maximum cooling capacity Dual Power	(1)	kW	-	2,35	2,64	2,60	3,10	3,10	3,11	3,50	3,60 (5)
Nominal cooling power	(1)	kW	1,65	1,73	2,04	2,04	2,35	2,35	2,35	2,87	2,66 (5)
Minimum Cooling Capacity	(1)	kW	-	0,70	0,83	0,81	0,92	0,92	0,92	1,40	1,30 (5)
Dehumidification capacity		L/24h	0,7	0,7	0,8	0,8	0,9	0,9	0,9	1,2	1,3
Total input power		kW	0,58	0,57	0,63	0,75	0,73	0,73	0,85	1,04	0,73 (5)
EER			2,84	3,01	3,24	2,72	3,22	3,22	2,75	2,74	4,32
Energy efficiency class	(2)		A	A	A+	A	A+	A+	A	A	

Heating performance (A 7 °C; A 20 °C)

Maximum heat output Dual Power	(3)	kW	-	2,40	2,64	2,64	3,05	3,05	3,05	3,50	3,84 (6)
Nominal heat power	(3)	kW	1,70	1,71	2,10	2,10	2,36	2,36	2,36	2,75	2,80 (6)
Electric heater additional power		kW	-	-	-	-	-	1	-	-	
Minimum heat output	(3)	kW	-	0,75	0,71	0,68	0,79	0,79	0,79	1,35	1,40 (6)
Total absorbed power	(3)	kW	0,55	0,54	0,64	0,67	0,72	0,72	0,75	0,88	0,72 (6)
COP			3,12	3,15	3,29	3,10	3,28	3,28	3,15	3,12	4,51
Energy class			A								

Electrical data

Total input power		kW	0,69	0,90	0,95	0,95	1,06	1,96	1,06	1,45	1,06
Maximum absorbed current		A	3,00	3,90	4,40	4,40	4,80	4,80	4,80	6,30	5,60
Tension		V/F/Hz	230-1-50	230-1-50	230-1-50	230-1-50	230-1-50	230-1-50	230-1-50	230-1-50	230-1-50

General characteristics

Indoor/outdoor ventilation speed		Nr.	3	3	3	3	3	3	3	3	3
Air flow at the maximum fan speed internal/external		m3/h	360/430	360/430	380/460	380/460	400/480	400/480	400/480	450/550	400
Air flow at the medium fan speed internal/external		m3/h	300/360	300/360	310/380	310/380	320/390	320/390	320/390	350/460	320
Air flow at the minimum fan speed internal/external		m3/h	240/320	240/320	260/330	260/330	270/340	270/340	270/340	300/400	270
Type of compressor			Rotary	Rotary - DC Inverter	Rotary - DC Inverter	Rotary - DC Inverter	Rotary - DC Inverter	Rotary - DC Inverter	Rotary - DC Inverter	Rotary - DC Inverter	Rotary DC Inverter

Sound data

Nominal sound pressure	(4)	dB(A)	38	39	39	39	41	41	41	43	27
Pressione sonora minima	(4)	dB(A)	29	27	26	26	27	27	27	29	41



		..2.0	..2.0 MINI	..2.0	..2.0 VERTICAL	..2.0	..2.0 ELEC	..2.0 VERTICAL	..2.0	..2.0 H2O
Models	u.m.	8 HP	9 HP	10 HP		12 HP			15 HP	15 HP

Refrigeration connections

Refrigerant		R410a	R290	R410a	R410a	R410a	R410a	R410a	R32	R410a
-------------	--	-------	------	-------	-------	-------	-------	-------	-----	-------

Product dimensions and weight

Total width	mm	1010	810	1010	500	1010	1010	500	1010	1010
Total height	mm	549	549	549	1398	549	549	1398	549	549
Total depth	mm	165	165	165	185	165	165	185	165	165
Empty weight	kg	47,6	38,0	48,5	53,0	48,5	48,5	53,0	41,0	50,0
Wall hole diameter	mm	162	162	162	162	162	162	162	202	
Hole spacing on wall	mm	293	210	293	293	293	293	293	293	

Total heat capacity FCU

Total heat capacity FCU (70 °C)	kW	1,9	-	1,9	-	1,9	-	-	-	-
Water flow	L/h	364	-	364	-	364	-	-	-	-
Water pressure drop	KPa	10	-	10	-	10	-	-	-	-
Hydraulic connections	" EK	3/4	-	3/4	-	3/4	-	-	-	-
Total width	mm	1010	-	1010	-	1010	-	-	-	-
Total height	mm	549	-	549	-	549	-	-	-	-
Total depth	mm	308	-	308	-	308	-	-	-	-

- (1) Outdoor air temperature 35 °C, relative humidity 50%. Ambient temperature 27°C; relative humidity 50%. Performance according to EN 14511
- (2) Energy classification according to the directive 626/2011
- (3) Outdoor air temperature 7 °C; relative humidity 72% / Ambient temperature 20 °C, relative humidity 28% / Performance according to UNI 13141-7
- (4) System-side sound pressure measured in semi-anechoic chamber at 2 m distance
- (5) Water temperature in/out 30/35 °C / Room temperature 27 °C; relative humidity 50% / Performance according to EN 14511
- (6) Water temperature in/out 15/10 °C / Ambient temperature 20°C, relative humidity 28% / Performance according to EN 14511

Operating Limits:

Min. cooling temperature T environment 18°C / T external -5 °C
 Max. cooling temperature T environment 32°C / T external 43 °C
 Min. heating temperature T environment 5 °C / T external -10 °C
 Max. heating temperature T environment 25 °C / T external 18 °C

Operating Limits for ..2.0 H2O:

Min heating source temperature 10°C with min output temperature 7°C
 Max. source temperature in heating mode 25°C
 Min. source temperature in cooling mode 20°C
 Max. source temperature in cooling mode 40°C







..2.0



CREDITS

Product Designer
Luca Papini
Art Direction & Graphic
OSMO DESIGN
Photography
Ottavio Tomasini
Special thanks to:
Akira Nishikawa





We turn ideas into products.





innova

INNOVA s.r.l.
Via 1° Maggio, 8
38089 Storo (Tn)
Tel. +39 0465 670104
Fax: +39 0465 674965
info@innovaenergie.com

www.innovaenergie.com

Edition 2021/1