

## FORMWORK KIT AND AESTHETIC PANEL KIT FOR BUILT-IN INSTALLATION

### Warnings

- ⚠ This instruction is an integral part of the booklet of the appliance on which the kit is installed. Please consult this booklet for general warnings and fundamental safety rules.
- ⚠ For a rapid and right assembly of the components follow carefully the sequences described in the various sections.
- ⚠ All the operations must be performed by qualified personnel using the required Personal Protective Equipment.

### List of accessories

#### Metal casing:

- L01045II - Galvanized formwork for built-in installation for SLWI 400 models
- L01046II - Galvanized formwork for built-in installation for SLWI 600 models
- L01047II - Galvanized formwork for built-in installation for SLWI 800 models

#### Exterior panel:

- L01092III - Aesthetic panel fully aligned with the wall for SLIM 400 models
- L01093II - Aesthetic panel fully aligned with the wall for SLIM 600 models
- L01094II - Aesthetic panel fully aligned with the wall for SLIM 800 models

### Assembly the built-in installation kit

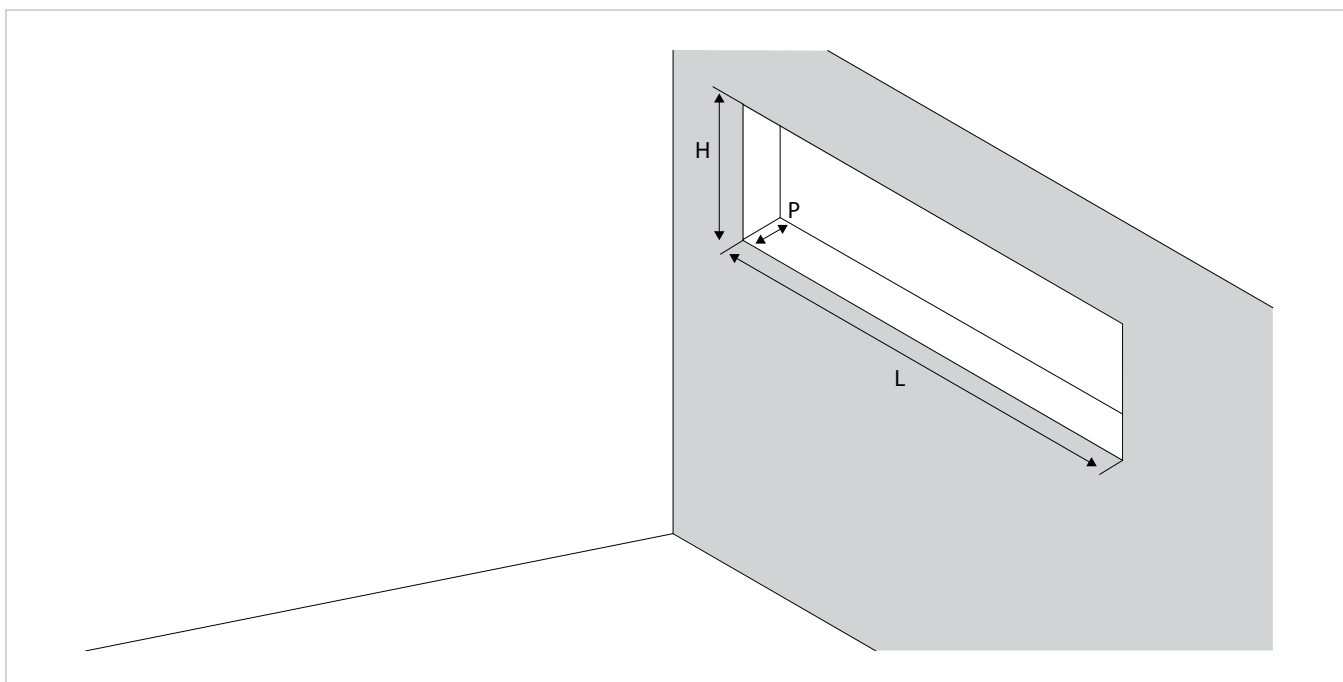
The kit can be installed in the vertical position only.

#### Installation arrangement

To install the unit, prepare the wall for housing the metal casing.

- ⚠ Make sure that the support wall is able to support the weight of the appliance.

- ⚠ Make sure that the wall is not crossed by pipelines, load-bearing construction elements or power lines.

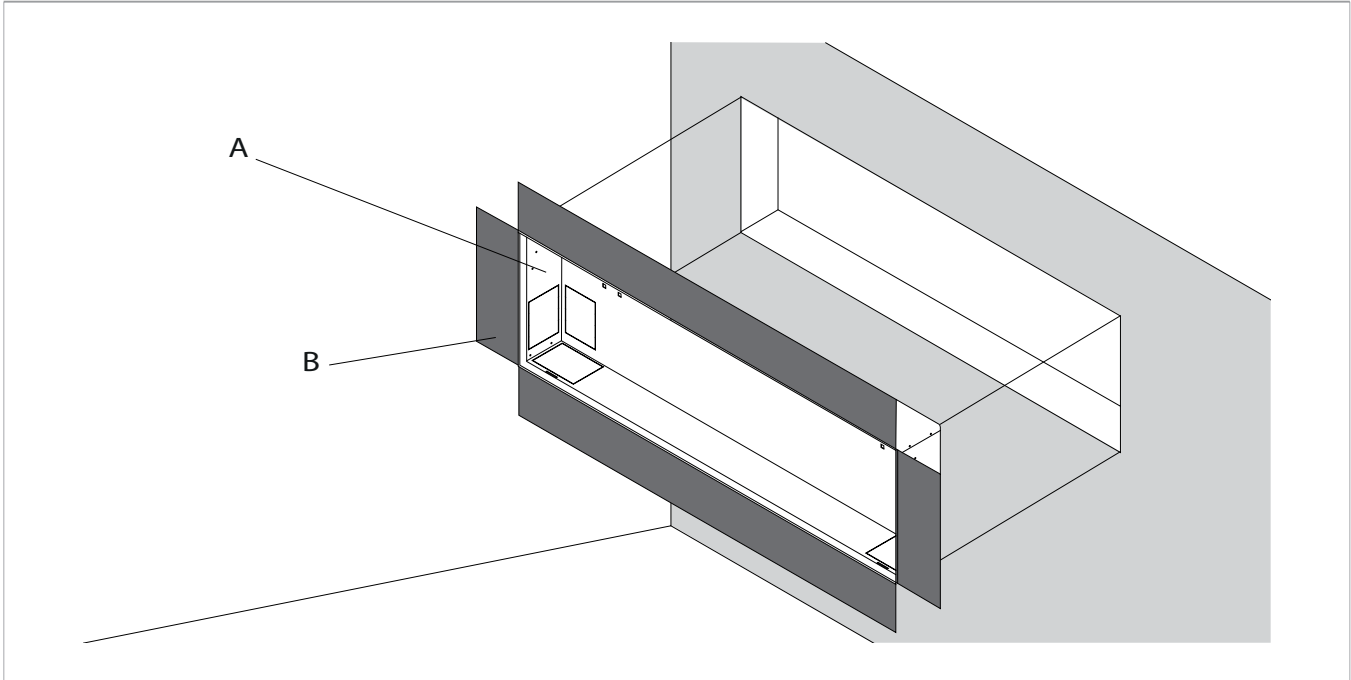


**Box installation**

⚠ The metal casing is equipped with pre-cuts in correspond-  
ence with the hydraulic and electrical connections of the  
appliance. Break the pre-cut necessary for the passage of  
pipes and electric cables.

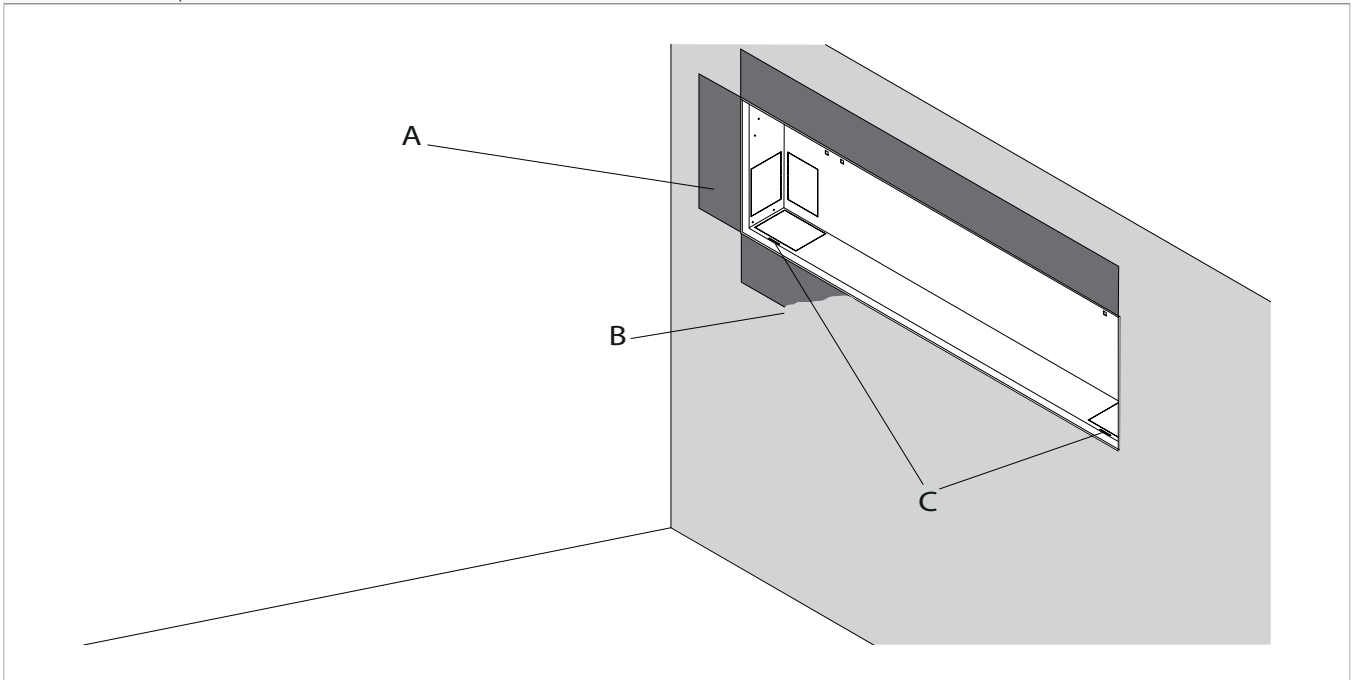
– insert the metal casing into the wall hole

- A** Metal casing
- B** Plaster holder mesh



– fix to the wall

- A** Plaster holder mesh
- B** Skimming
- C** Aesthetic panel attachment holes



⚠ Make sure that the metal casing does not deform during  
installation.

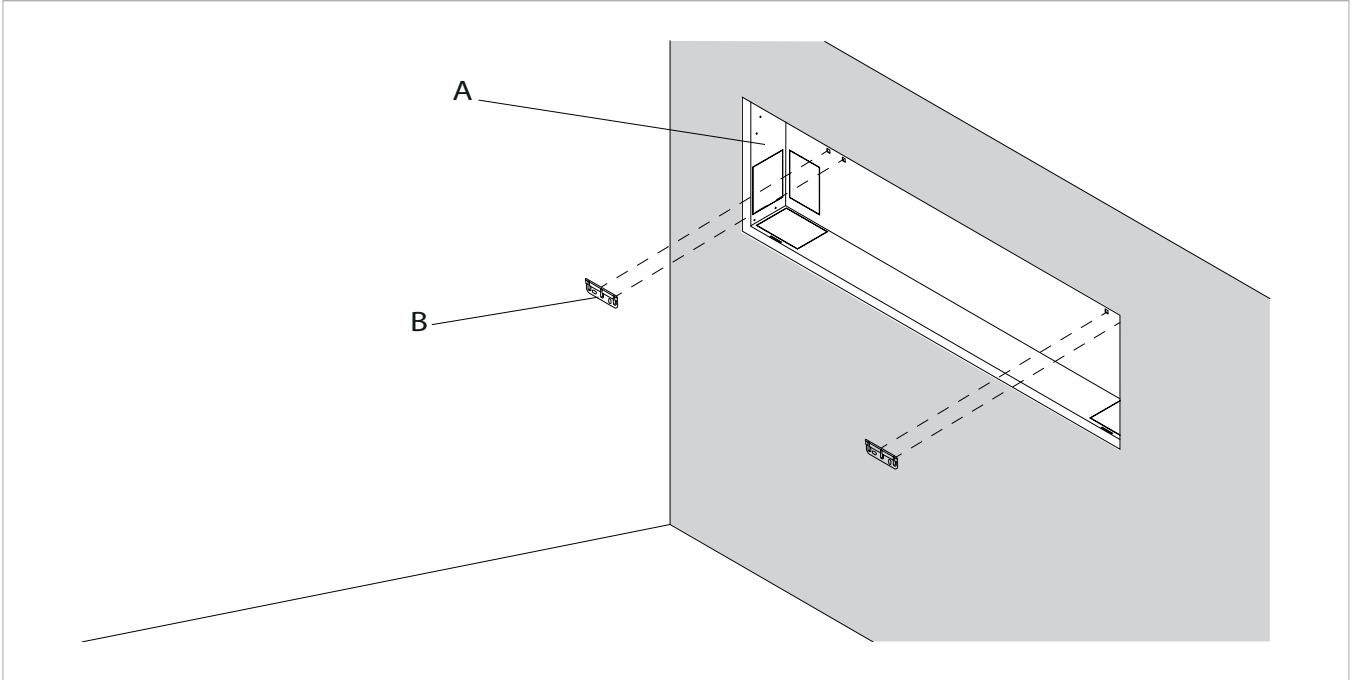
⚠ make sure that the rectangular holes for hooking the aes-  
thetic panel, arranged in the lower part of the wormwork,  
remain free.

### Fancoil unit installation

- place the cage nuts supplied in the square holes provided in the formwork
- insert the 2 brackets supplied with the appliance
- fix the brackets used M6 screws (not supplied)
- check the correct fixing
- check correct alignment

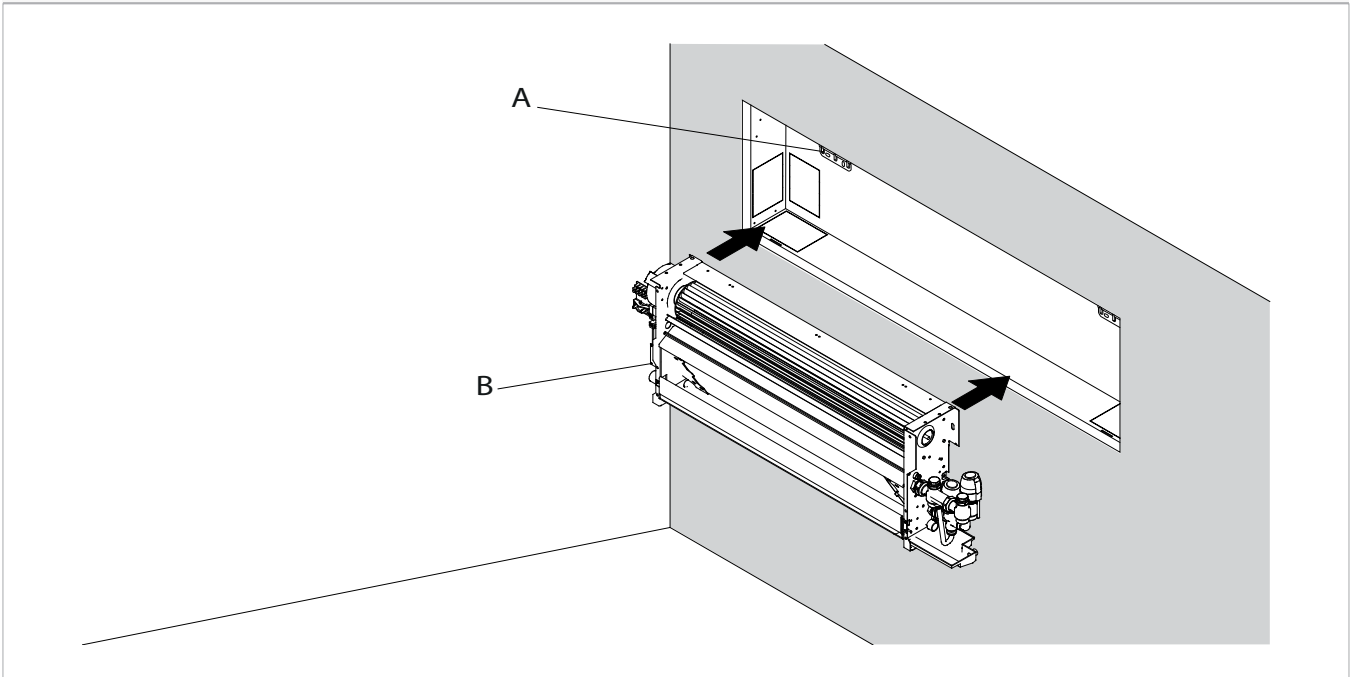
- ⚠ It is necessary, for the correct functioning of the device, that during the whole installation phase the working space remains clean.
- ⚠ Regularly clear away waste offcuts, debris or dirt in the metal casing.

- A** Metal casing
- B** Fixing brackets



- assemble the unit
- check correct attachment to the brackets

- A** Fixing brackets
- B** fancoil unit

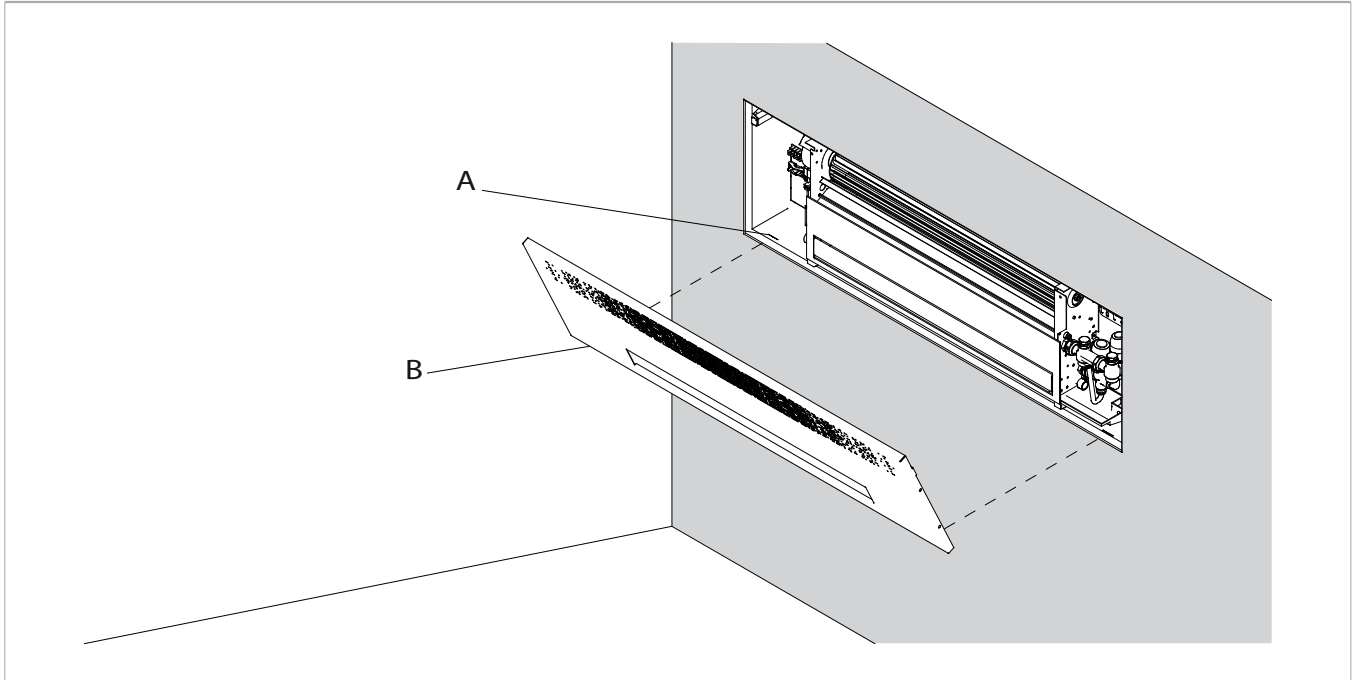


### Aesthetic front panel installation

- bring the aesthetic panel closer to the formwork
- hook the lower part of the panel using the hooks provided in the formwork

**A** Aesthetic panel attachment holes

**B** Aesthetic front panel



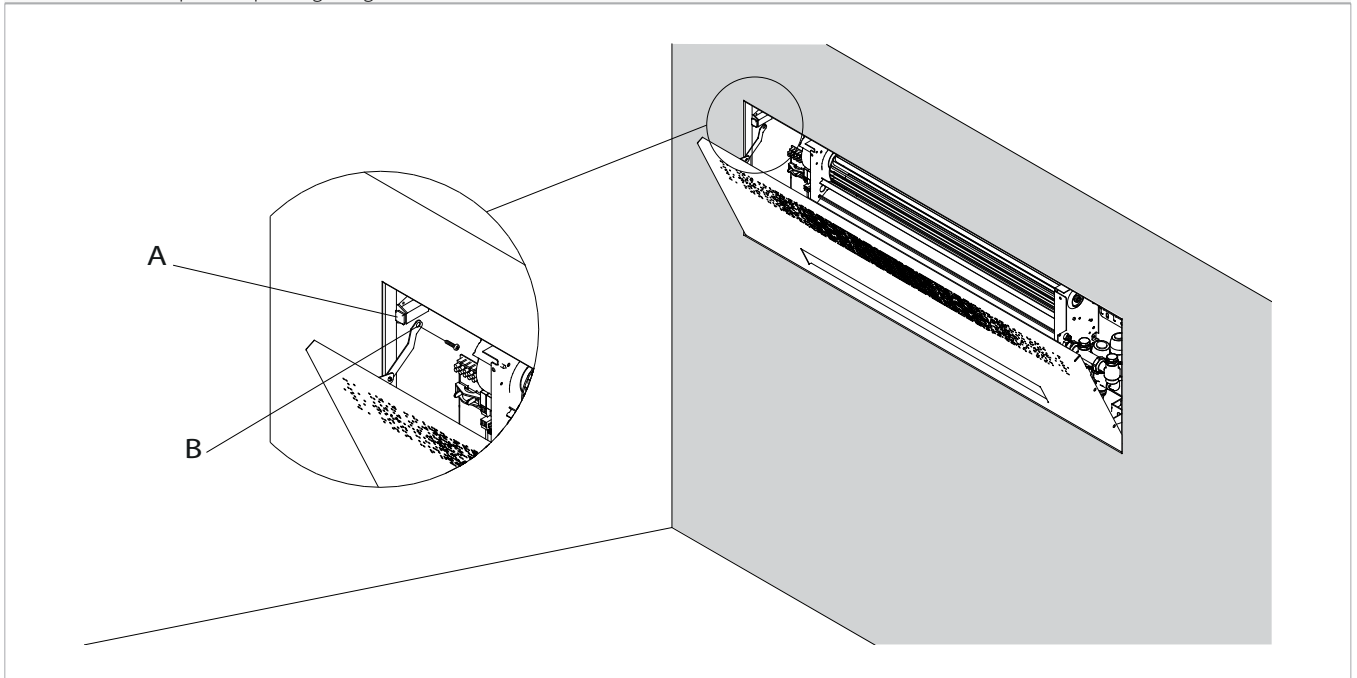
- bring the top of the aesthetic panel closer to the form-work
- check the correct alignment of the front panel with the flap on the unit, if necessary move the appliance on the brackets for correct alignment

- secure the hinges using the screws provided

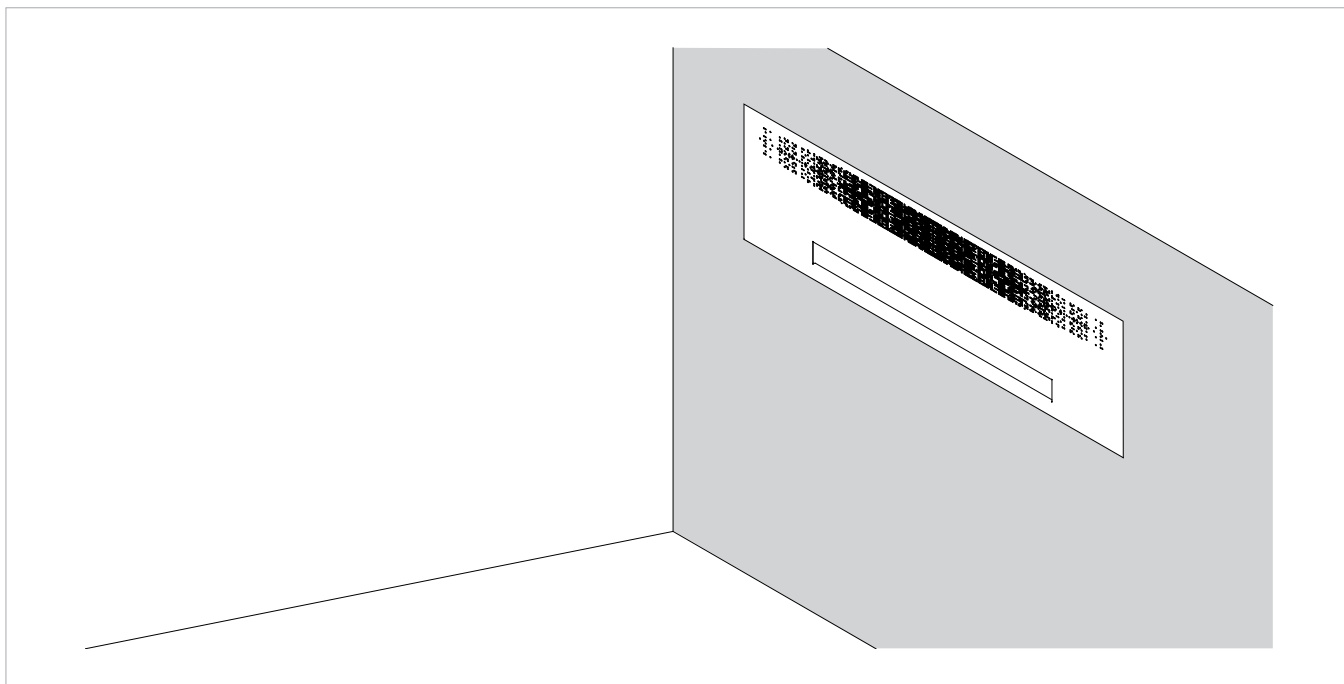
⚠ Make sure that the flap on the unit is aligned with the opening on the aesthetic panel. Failure to align can cause problems in the operation of the appliance.

**A** Push-pull pressure mechanism

**B** Aesthetic panel opening hinges



- close the panel



⚠ This instruction is an integral part of the booklet of the appliance on which the kit is installed. Please consult this booklet for general warnings and fundamental safety rules.

⚠ Refer to the appliance manual also for the connection and testing phases.