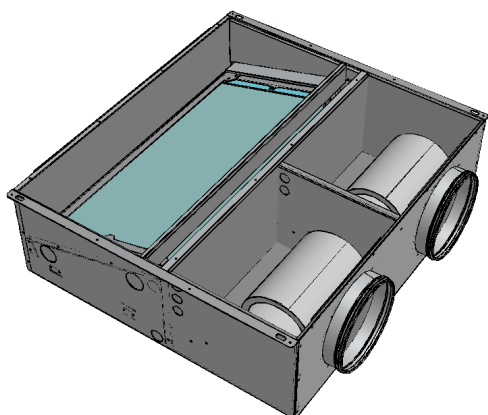


DUCTO MULTI

Compact unit for air conditioning systems for concealed ceiling installation;
EC motors for single zone management with electronic control;



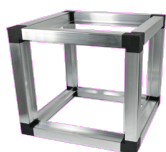
- ONLY ONE UNIT WITH DIRECT AND INTEGRATED MULTIZONE REGULATION
- ADJUSTMENTS WITH WALL AND WIFI COMMANDS OR WITH MANAGEMENT OF EXTERNAL SIGNALS



GENERAL FEATURES

STRUCTURE

High resistance structure with self-supporting frame in galvanized sheet with internal thermal and acoustic insulation;
Choice of materials with high thermal and acoustic insulation characteristics



FANS

The unit is equipped with low energy consumption EC centrifugal fans with forward blades for low noise.



EXCHANGE BATTERY

Battery optimized for the best heat exchange

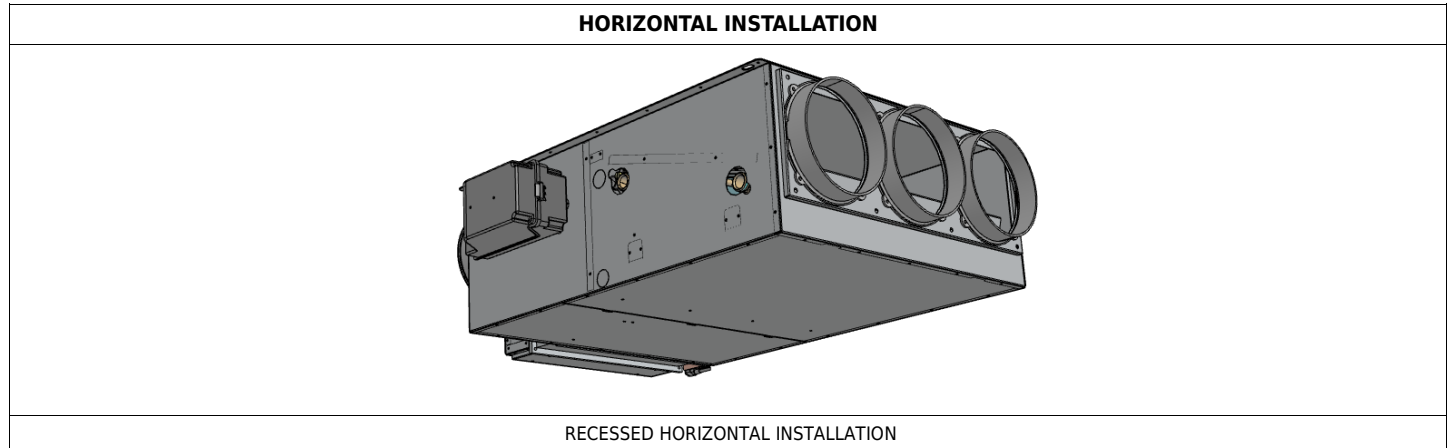


FILTRATION

Flat filters with Coarse filtration class

TYPES OF INSTALLATION

The installation possibilities of the unit are illustrated below:



UNIT CONFIGURATION

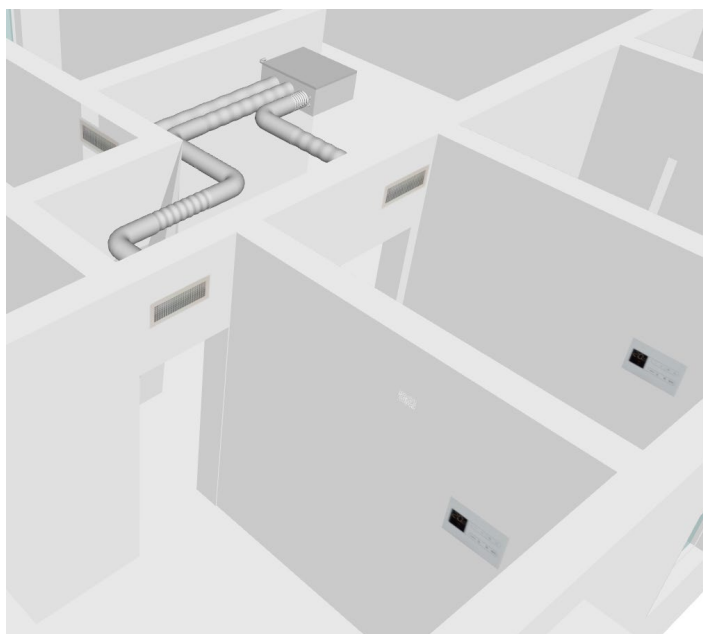
	-1-	-2-	-3-
SLC +	600	H	I



<p>(1) Defines the size Models from 600 = 2 fans 800 = 3 fans 1000 = 4 fans 1200 = 5 fans</p>	<p>2) Type of installation H: horizontal</p>	<p>3) Electronic type S: With 0-10 v dc control signal for single fan I: Version with electronics and EC motors for single zone</p>
--	---	--

ADJUSTMENT DESCRIPTION

DUCTO MULTI UNIT VERSIONS I



Each zone / fan can be controlled by an EEA649 / EEB649 or EFA649 / EFB649 wall control;

The CNW also provides integrated WiFi for the possibility of management through the APP;

It is possible to control several fans through a single wall control in case there is the need to cover large areas or higher thermal / refrigeration needs;

DUCTO MULTI UNIT VERSIONS S



Each zone / fan can be controlled by an external 0-10 V signal from thermostats or home automation etc;

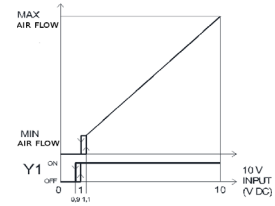
It is possible to control several fans through a single signal if there is the need to cover large areas or higher thermal / refrigeration needs;

DUCTO UNIT MULTI VERSIONS I

DUCTO UNIT MULTI VERSIONS S

CARDS ON THE MACHINE

SIGNAL 0-10 V



REMOTE PANELS

COMMANDS

REMOTE PANEL CNV-CNW (MANDATORY)

THROUGH EXTERNAL COMMANDS 0-10 V DC
YOU CAN OBTAIN A FLOW REGULATION
AIR COIL OF THE FAN COIL



EXTERNAL CONTROLS

ON OFF



PERFORMANCE UNIT

GENERAL TECHNICAL DATA

Size	SLC + 600	SLC + 800	SLC + 1000	SLC + 1200
------	-----------	-----------	------------	------------

AEREAULIC DATA VERSION

	m ³ / h	600	900	1200	1500
Maximum nominal air flow	m ³ / h	300	300	300	300
Single fan air flow max. speed	m ³ / h	205	205	205	205
Single fan air flow med. speed	m ³ / h	60	60	60	60
Single fan air flow min. speed	Pa	100	100	100	100
Useful pressure available	kW	0.07x 2	0.07 x 3	0.07 x 4	0.07 x 5
Nominal absorbed power of recirculation fan					

THERMAL / REFRIGERATING PERFORMANCE DATA

Total cooling capacity 1	kW	3.8	5.5	7.2	8.1
Sensible cooling capacity 1	kW	2.7	3.9	5.1	6.1
Water flow	m ³ / h	0.60	0.95	1.2	1.4
Loss of pressure	kPa	29	21	19	11
Total cooling capacity max zone	kW	2.1			
Max zone sensitive cooling capacity	kW	1.5			
Maximum total heat output 2	kW	3.9	5.7	7.42	9.0
Water flow	m ³ / h	0.61	0.98	1.3	1.57
Loss of pressure	kPa	29	22	21	12
Total single zone heat output 2	kW	2.2			

(1) Coil water temperature 7/12 ° C, ambient air temperature 27 ° C bs and 19 ° C bu (EU regulation 2016/2281)

(2) Coil water temperature 45/40 ° C, ambient air temperature 20 ° C (EU regulation 2016/2281)

SOUND DATA (Data referred to UNI EN 3741 and UNI EN 3744)

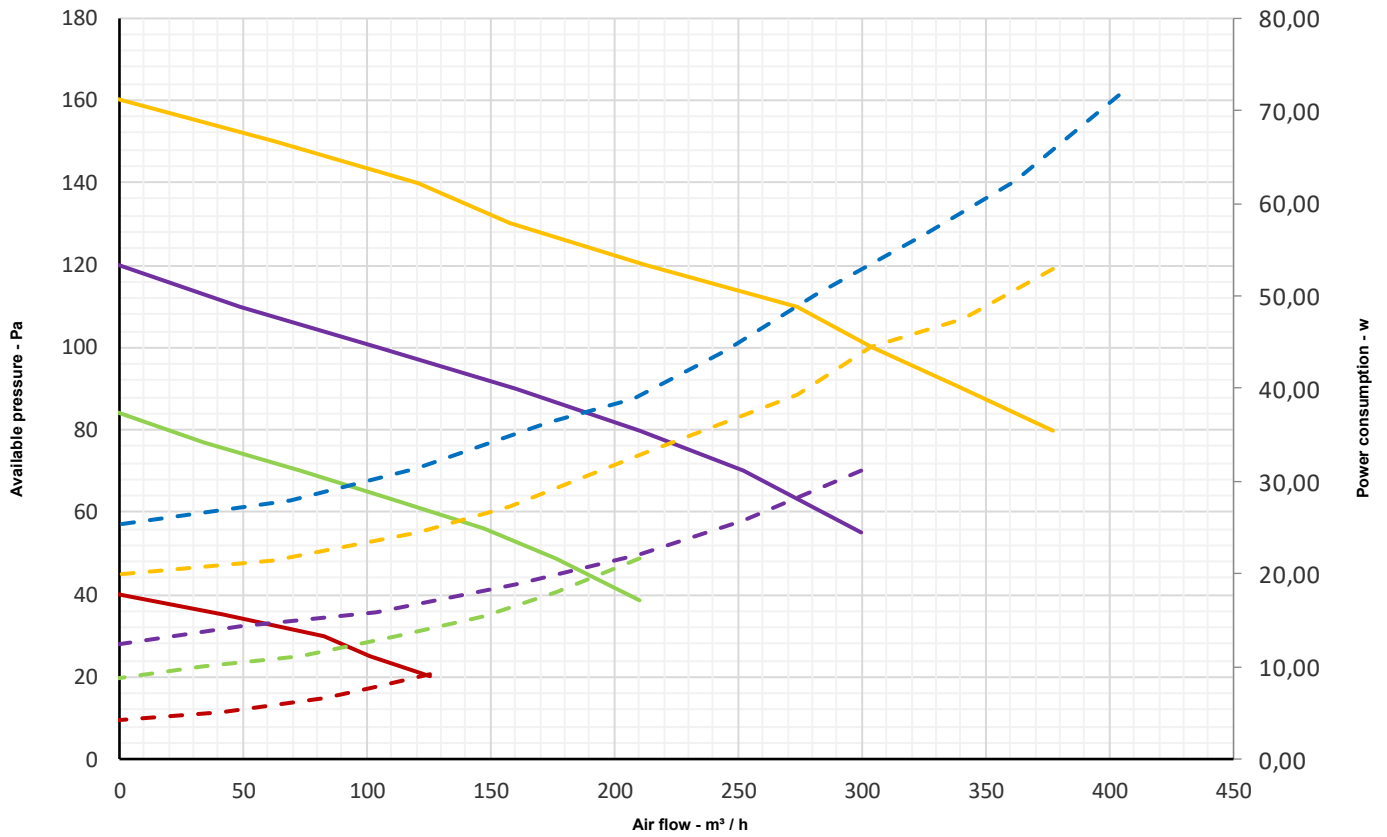
Sound power Lw transmitted by the structure	dB (A)	60	61	62	64
Sound power Lw radiated in the channel	dB (A)	65	69	69	71
Average sound pressure Lp at 1 m	dB (A)	46	48	49	51
Average sound pressure Lp at 3 m	dB (A)	38	40	41	43

ELECTRICAL DATA

Diet	V / Ph / Hz	230/1/50			
Max absorbed power	kW	0.19	0.28	0.37	0.46
Max absorbed current	TO	0.7	1.4	2.1	2.8

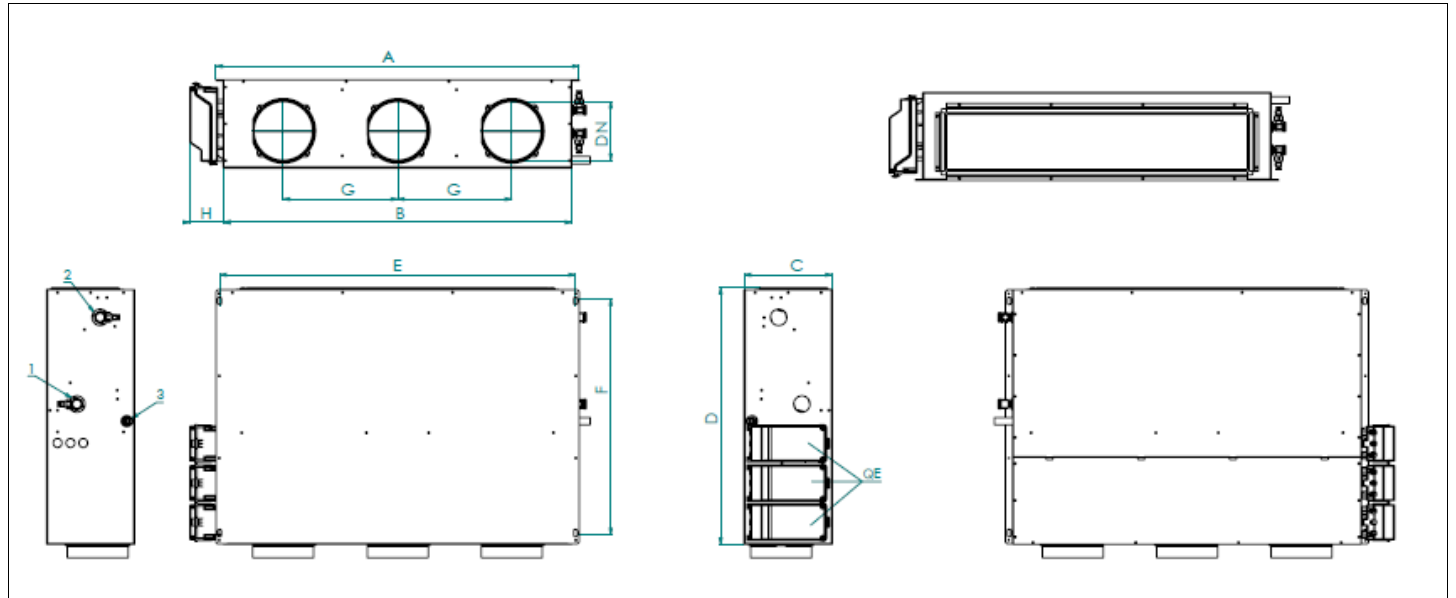
AERAUIC CURVES

Single fan curve



DIMENSIONAL DATA

HORIZONTAL INSTALLATION





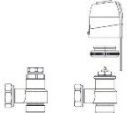



Models	SLC +	600	800	1000	1200
Width A	mm	790	990	1190	1440
Depth F	mm	690	690	690	690
Height C.	mm	240	240	240	240
Send diam	mm	2x160	3x160	4x160	5x160
Shooting bxh	mm	630x143	830x143	1030x143	1317x143
Delivery / return water connections	OR	3/4 "	3/4 "	3/4 "	3/4 "
Condensation	OR	16/20 mm	16/20 mm	16/20 mm	16/20 mm
Weight	kg	43	47	56	67

UNIT VIEW FROM ABOVE

LIST OF ACCESSORIES

ADJUSTMENT

COMMANDS FOR WALL CONTROL		
<p>SMART TOUCH wall-mounted control panel with thermostat and ambient temperature and relative humidity probe. Speed, temperature and operating modes control; Maximum connection length 50 m if made with 4-wire braided shielded cable.</p>		
COMMANDS FOR WALL CONTROL		
<p>SMART TOUCH wall-mounted control panel with thermostat and temperature and relative humidity probe in the room with integrated WiFi module, InnovAPP. Speed, temperature and operating modes control; Maximum connection length 50 m if made with 4-wire braided shielded cable.</p>		
2-WAY VALVE (FOR VERSIONS I)		
<p>2-way zone valve operated directly by the unit to allow the hydronic battery to be powered with On off command from the unit.</p>		
3-WAY VALVE (FOR VERSIONS I)		
<p>3-way zone valve operated directly by the unit to allow the hydronic battery to be powered with On off command from the unit.</p>		

RETURN PLATE FOR FLEXIBLE HOSES

Insulated air outlet plate with:
Size 600 = 2 attacks of 160 mm
Size 800 = 3 attacks of 160 mm
Size 1000 = 4 attacks of 160 mm
Size 1200 = 5 attacks of 160 mm



REPLACEMENT FILTER

Replacement filter. Coarse class



UNIT ORDER CODES

Electronic board models for 0-10 V interface - horizontal left water connections and right adjustment

Model	Description	Code
SLC + 600	SLC + 600 H - multi-zone ducted fan coil with EC brushless motors	FASQ06O011I-0J00
SLC + 800	SLC + 800 H - multi-zone ducted fan coil with EC brushless motors	FASQ08O011I-0J00
SLC + 1000	SLC + 1000 H - multizone ducted fan coil with EC brushless motors	FASQ10O011I-0J00
SLC + 1200	SLC + 1200 H - multizone ducted fan coil with EC brushless motors	FASQ12O011I-0J00

Electronic board models for 0-10 V interface - horizontal right water connections and left adjustment

Model	Description	Code
SLC + 600	SLC + 600 H - multi-zone ducted fan coil with EC brushless motors	FASQ06R011I-0J00
SLC + 800	SLC + 800 H - multi-zone ducted fan coil with EC brushless motors	FASQ08R011I-0J00
SLC + 1000	SLC + 1000 H - multizone ducted fan coil with EC brushless motors	FASQ10R011I-0J00
SLC + 1200	SLC + 1200 H - multizone ducted fan coil with EC brushless motors	FASQ12R011I-0J00

Electronic card models with continuous modulation for wall connection - horizontal left water connections and right adjustment

Model	Description	Code
SLC + 600	SLC + 600 H - multi-zone ducted fan coil with EC brushless motors	FASQ06O011I-0P00
SLC + 800	SLC + 800 H - multi-zone ducted fan coil with EC brushless motors	FASQ08O011I-0P00
SLC + 1000	SLC + 1000 H - multizone ducted fan coil with EC brushless motors	FASQ10O011I-0P00
SCL + 1200	SLC + 1200 H - multizone ducted fan coil with EC brushless motors	FASQ12O011I-0P00

Electronic card models with continuous modulation for wall connection - horizontal right water connections and left adjustment

Model	Description	Code
SLC + 600	SLC + 600 H - multi-zone ducted fan coil with EC brushless motors	FASQ06R011I-0P00
SLC + 800	SLC + 800 H - multi-zone ducted fan coil with EC brushless motors	FASQ08R011I-0P00
SLC + 1000	SLC + 1000 H - multizone ducted fan coil with EC brushless motors	FASQ10R011I-0P00
SLC + 1200	SLC + 1200 H - multizone ducted fan coil with EC brushless motors	FASQ12R011I-0P00

ACCESSORIES ORDERING CODES

Commands for wall control

Template	SMART TOUCH wall-mounted control panel with thermostat and ambient temperature and relative humidity probe.		
Description	Black colour	White colour	
Code	EEA649II	EEB649II	

Commands for wall control

Template	SMART TOUCH wall-mounted control panel with thermostat and temperature and relative humidity probe in the room with integrated WiFi module, InnovAPP.		
Description	Black colour	White color	
Code	EFA649II	EFB649II	

Replacement filters

Description	Replacement filters			
Models	SLC + 600	SLC + 800	SLC + 1000	SLC + 1200
Code	GR1227II	GR1228II	GR1229II	GR1230II

Return plates DN 160 mm (delivery integrated in the unit)

Description	Return plate with 2 circular inlets	Return plate with 3 circular inlets	Return plate with 4 circular inlets	Return plate with 5 circular inlets
Models	SLC + 600	SLC + 800	SLC + 1000	SLC + 1200
Code	GR1233II	GR1234II	GR1235II	GR1236II

Hydraulic groups and fittings

Description	2-way manual valve group			
Code	I20205II			
Description	2-way manual valve unit (inlet valve and lockshield valve) with thermoelectric motor			
Code	V20139II			
Description	3-way diverter valve unit with thermoelectric motor (complete with three-way inlet valve and lockshield)			
Code	V30361II			

Delivery grille

Description	Delivery grille in aluminum with double row of adjustable fins, white color. Dimensions: 450x225 mm
Code	GR1119II

MULTI-ZONE DUCTABLE FANCOIL

DATA SHEET



Suction grille

Description	Suction grille with extractable aluminum filter, white color. Dimensions 450x 225 mm
Code	GR1120II

Insulated aluphonic hose

Description	Insulated aluphonic hose DN 160 mm. Supplied in 10 m spools, price in € / m
Code	GR0945II

Universal steel insulated plenum box for one box system

Description	Insulated plenum for supply / return with 2 DN 160mm inlets, 1 DN160 plug and grid connection. Dimensions: 450x175x175 mm
Code	GR1118II

CE marking

The CE marking (present on each machine) certifies compliance with the following Community standards:

- Low Voltage Directive 2014/35 / EC
- Electromagnetic Compatibility Directive 2014/30 / EC

Rev.00 01-2022

www.innovaenergie.com

The data contained in this technical catalog can be changed by the manufacturer without prior notice.